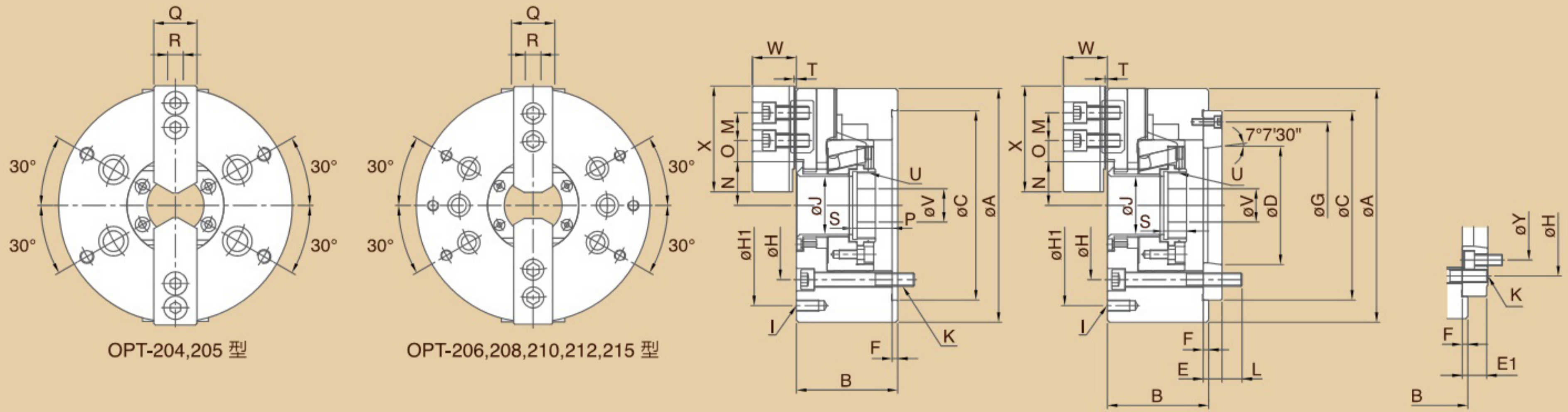


# OPT 2-JAW HIGH SPEED HOLLOW POWER CHUCKS

## 二爪高速中空油壓夾頭



### 尺寸圖 » Dimensions



### 規格表 » Specifications

單位/UNIT:mm

| 型式/規格<br>MODEL<br>/SPEC. | 主軸鼻端番號<br>Nose Of<br>Spindle          |    | A   | B   | C<br>(h6) | D       | E  | E1 | F | G   | H     | H1      | I           | J     | K           | L  |
|--------------------------|---------------------------------------|----|-----|-----|-----------|---------|----|----|---|-----|-------|---------|-------------|-------|-------------|----|
| OPT-204                  | --                                    | -- | 110 | 59  | 85        | --      | -- | -- | 4 | --  | 70.6  | --      | --          | 26    | 4-M10x1.5P  | -- |
| OPT-205                  | A <sub>2</sub> -4                     | -- | 135 | 60  | 110       | 63.513  | 20 | -- | 4 | 96  | 82.6  | PCDø118 | 4-M8x1.25P  | 33    | 4-M10x1.5P  | 15 |
| OPT-206                  | A <sub>2</sub> -5                     | -- | 169 | 81  | 140       | 82.563  | 15 | -- | 5 | 116 | 104.8 | PCDø145 | 6-M10x1.5P  | 45    | 6-M10x1.5P  | 16 |
| OPT-208                  | A <sub>2</sub> -6(A <sub>2</sub> -5)  | -- | 210 | 91  | 170       | 106.375 | 17 | 23 | 5 | 150 | 133.4 | PCDø180 | 6-M10x1.5P  | 52    | 6-M12x1.75P | 18 |
| OPT-210                  | A <sub>2</sub> -8(A <sub>2</sub> -6)  | -- | 254 | 100 | 220       | 139.719 | 18 | 28 | 5 | 190 | 171.4 | PCDø225 | 6-M12x1.75P | 75    | 6-M16x2P    | 19 |
| OPT-212                  | A <sub>2</sub> -8                     | -- | 304 | 110 | 220       | 139.719 | 18 | -- | 6 | 190 | 171.4 | PCDø250 | 6-M12x1.75P | 91    | 6-M16x2P    | 25 |
| OPT-215                  | A <sub>2</sub> -11(A <sub>2</sub> -8) | -- | 381 | 133 | 300       | 196.869 | 22 | 33 | 6 | 260 | 235   | PCDø324 | 6-M12x1.75P | 117.5 | 6-M20x2.5P  | 28 |

| 型式/規格<br>MODEL<br>/SPEC. | M  | N<br>max. | N<br>min. | O<br>max. | O<br>min. | P<br>max. | P<br>min. | Q  | R  | S    | T | U        | V  | W    | X    | Y     | 通孔直徑<br>Thru-Hole<br>[Diameter]<br>(mm) | 柱塞行程<br>Plunger<br>Stroke<br>(mm) |
|--------------------------|----|-----------|-----------|-----------|-----------|-----------|-----------|----|----|------|---|----------|----|------|------|-------|---|-----------------------------------|
| OPT-204                  | 14 | 23        | 20.3      | 11.5      | 6.7       | 3.5       | -6.5      | 23 | 10 | 17.5 | 2 | M32x1.5P | 12 | 24   | 49.5 | --    | 26                                      | 10                                |
| OPT-205                  | 14 | 26.2      | 23.5      | 19        | 6         | 1         | -9        | 25 | 10 | 20   | 2 | M40x1.5P | 12 | 31.5 | 62   | --    | 33                                      | 10                                |
| OPT-206                  | 20 | 32.35     | 29.6      | 24        | 7         | 11        | -1        | 31 | 12 | 19   | 2 | M55x2P   | 20 | 37.5 | 73   | --    | 45                                      | 12                                |
| OPT-208                  | 25 | 39.1      | 35.4      | 30        | 10        | 14.5      | -1.5      | 35 | 14 | 20.5 | 2 | M60x2P   | 30 | 39.5 | 95   | 104.8 | 52                                      | 16                                |
| OPT-210                  | 30 | 51.5      | 47.1      | 34        | 12        | 8.5       | -10.5     | 40 | 16 | 25   | 2 | M85x2P   | 40 | 43   | 110  | 133.4 | 75                                      | 19                                |
| OPT-212                  | 30 | 61.6      | 56.3      | 46        | 12        | 8         | -15       | 50 | 21 | 28   | 2 | M100x2P  | 50 | 51   | 129  | --    | 91                                      | 23                                |
| OPT-215                  | 43 | 82.3      | 77        | 46        | 13        | 7.5       | -16       | 62 | 22 | 42.5 | 5 | M130x2P  | 48 | 66.5 | 165  | 171.4 | 117.5                                   | 23                                |

| 型式/規格<br>MODEL<br>/SPEC. | 爪行程<br>〔直徑〕<br>Jaw Stroke<br>[Diameter]<br>(mm) | 最高迴轉速<br>Max.Speed<br>r.p.m.(min <sup>-1</sup> ) | 最大拉力<br>Max. Pull<br>Force<br>kgf (KN) | 最大靜夾持力<br>Max. Gripping<br>Force<br>kgf (KN) | 最大設定<br>油壓壓力<br>Max. Hydr.<br>Pressure<br>kgf/cm <sup>2</sup> (Mpa) | 淨重<br>Weight<br>(kg) | 搭配<br>油壓缸型號<br>Matching<br>Cylinder | 夾持範圍<br>Gripping<br>Range |
|--------------------------|---|--|--|--|---|----------------------|-------------------------------------|---------------------------|
| OPT-204                  | 5.4   | 8000   | 920 (9)                                | 1930 (19)                                    | 15.5 (1.5)  | 3.6                  | P0928                               | ø7~ø110                   |
| OPT-205                  | 5.4   | 7000   | 1120 (11)                              | 2340 (23)                                    | 19 (1.9)  | 6.5                  | P1036                               | ø10~ø135                  |
| OPT-206                  | 5.5   | 6000   | 1420 (14)                              | 3770 (37)                                    | 18.5 (1.8)  | 13.1                 | P1246                               | ø13~ø169                  |
| OPT-208                  | 7.4   | 5000   | 2240 (22)                              | 5710 (56)                                    | 17 (1.7)  | 23.0                 | P1552                               | ø13~ø210                  |
| OPT-210                  | 8.8   | 4200   | 2850 (28)                              | 7440 (73)                                    | 18 (1.8)  | 35.9                 | P1875                               | ø30~ø254                  |
| OPT-212                  | 10.6  | 3300   | 3670 (36)                              | 9690 (95)                                    | 18 (1.8)  | 56.6                 | P2091                               | ø35~ø304                  |
| OPT-215                  | 10.6  | 2500   | 4790 (47)                              | 12130 (119)                                  | 17 (1.7)  | 103.2                | P2511                               | ø35~ø381                  |